

$\phi 79 \text{ h8} -0.05$   
Clamping diameter

(260.64)

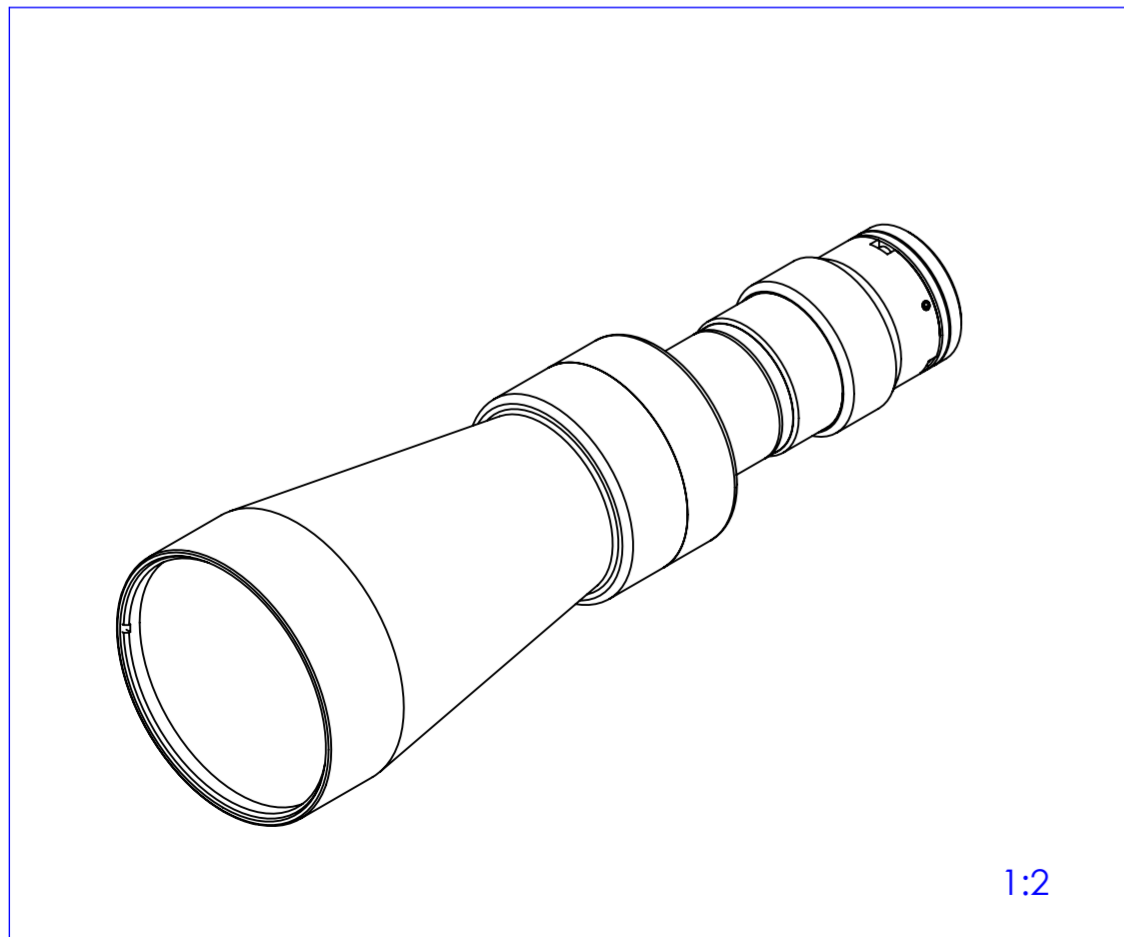
$\phi 61 \text{ h8} -0.05$   
Clamping diameter

Phase adjustment  
 $\phi 37.80 \text{ h8} -0.04$   
Clamping diameter

$\phi 25.40$   
C-Mount  
1" 32 TPI

$\phi 71$

257.14 229.51 136.23 94.23 62.80 45.58 23.50 0 3.50



Material		N.A.		Mass		1012 g		Scale		1:1	
Surface treatment		N.A.		Part No.		CO71396					
Geometrical tolerance (ISO 2768-2)		Class		K		Undimensioned bevels		0.5x45°			
Linear tolerance (ISO 2768-2)		Class		K		Undimensioned radii		R 0.5			
0.5	>3+	>6+	>30+	>120	>400+	>1000	>2000	Description TC2MHR056-C			
+3	6	30	120	+400	1000	+2000	+4000				
±0.1	±0.1	±0.2	±0.3	±0.5	±0.8	±1.2	±2	Drawing No.		Sheet	
		Date		Name		Drawing No.		Sheet			
		Designed		04/04/2014		Vasconetto		DP 71396-C		1/1	
		Drawn		05/06/2014		Rodella					
Checked								<small>Secret and confidential - All rights reserved - No copy, dissemination or circulation is allowed unless specifically authorized in writing by OPTO ENGINEERING S.r.l. - Any violation shall be legally prosecuted.</small>			
OPTO ENGINEERING S.r.l. - Mantova, Italy - Tel. +39 0376699111 - www.opto-e.com											